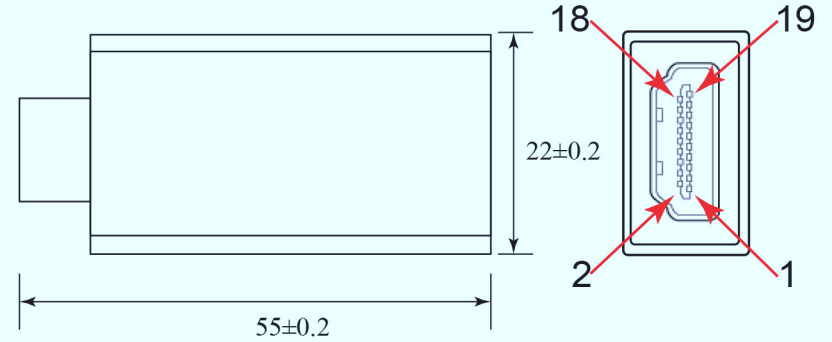


Mini DisplayPort M



HDMI F
HDMI 4K2K F

PIN ASSIGNMENT:

Mini DisplayPort M	1	1	4	4	7	9	10	12	15	16	17	14	18	19	GND
HDMI F	1	1	4	4	7	9	10	12	15	16	17	14	18	19	GND
	TP		TP		TP		TP		TP						

OPEN/SHORT TEST: 100% TEST.
INSULATION: 10M
RoHS Compliant

④	HDMI F 19P Assembly Black Shell	1 PCS
③	45P Black PVC	15g
②	Mini DisplayPort M20 Pin (Black Insulator Gold Plated)	1 PCS
①	UL20276(1P#32)x5+#32x4C+AE+B(85%ALB) White OD=5.2mm	1 PCS
No.	Description	Qty

Company		Goods Code										
ITEM NO.	26-0705	Drawing Evidence		Draw		Date	2015.06.23			D		
				Check		Date				C		
Description	Mini DisplayPort M to HDMI F Converter			Approval		Date				B		
										VER. A	REVISE	Date