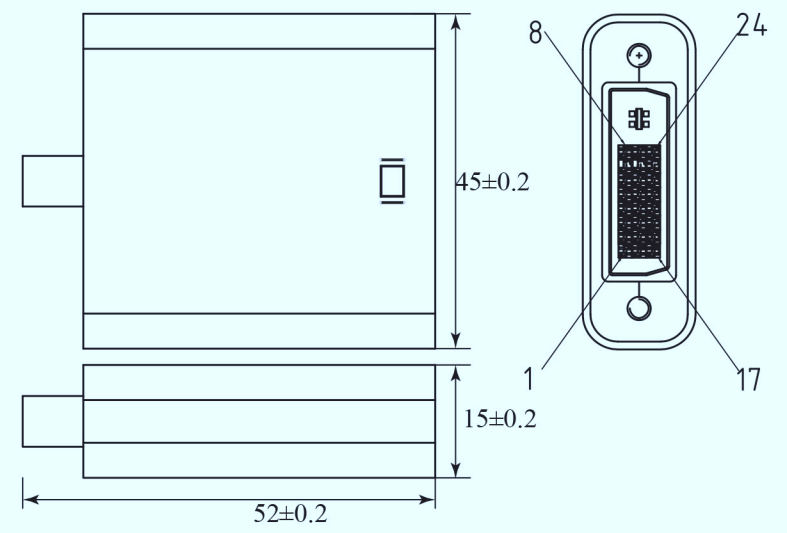


Mini DisplayPort M



DVI-I F

PIN ASSIGNMENT:

Mini DisplayPort M	5	3	1	12	10	8	11	9	7	17	15	13	16	18	14	6	4	2	20	19	
DVI-I F	3	1	2	12	10	11	6	4	5	9	7	8	15	17	16	13	18	14	20	19	
	TP	GND		TP	GND		TP	GND		TP	GND		TP	GND						GND	

OPEN/SHORT TEST: 100% TEST.  
 INSULATION: 5M  
 RoHS Compliant

④	DVI-I F 24+5P Assembly Black Shell	1 PCS
③	PVC 45P Black	15g
②	Mini DisplayPort M20 Pin (Black Insulator Gold Plated)	1 PCS
①	UL20276(1P#32+EAM)x5+#32x5C+AE+B(85%ALB) White OD=5.5mm	1 PCS
No.	Description	Qty

Company		Goods Code		Draw		Date	2015.06.23	D		
ITEM NO.	26-0707	Drawing Evidence		Check		Date		C		
Description	Mini DisplayPort M to DVI-I F Converter			Approval		Date		B		
								VER. A	REVISE	Date