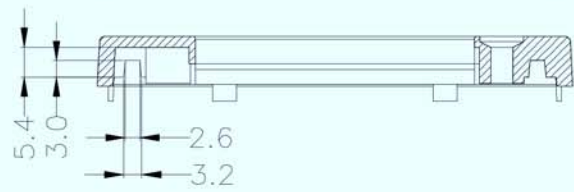
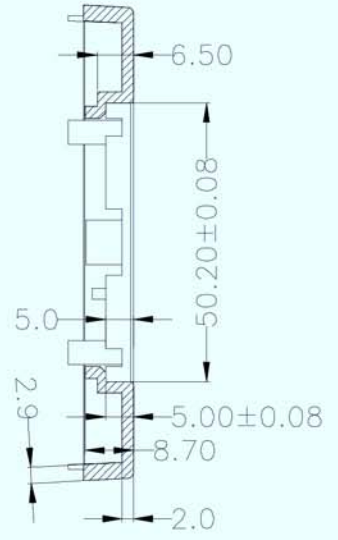
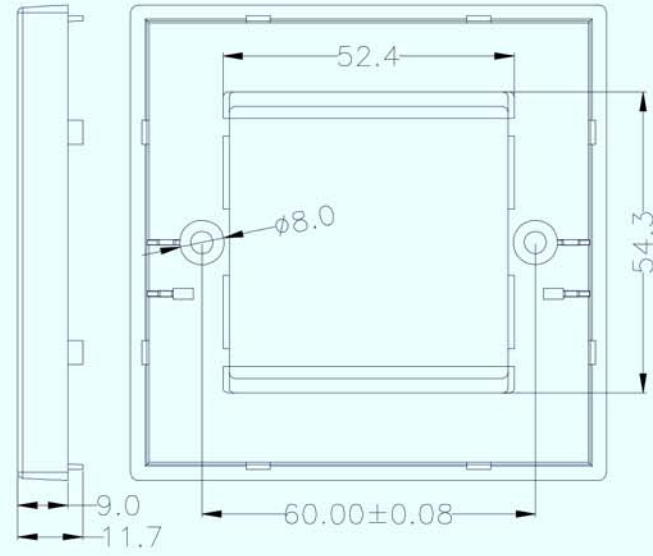
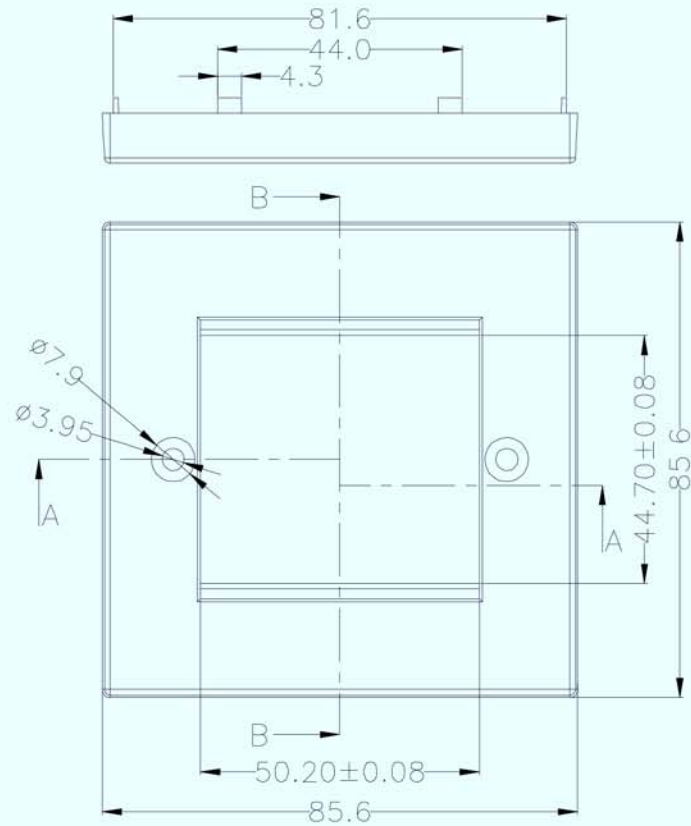


RevNo	Revision note	Date	Signature	Checked



SECTION A-A

SECTION B-B

NOTE:
 1.MATERIAL : ABS
 2.BURR : 0.05mm MAX
 3.RoHS & REACH Compliant
 4:Color:RAL9003

Ltemref	Quantity	Title/Name,designation,material,dimension etc	Article No./Reference		
Designed by	Checked by	Approved by - date Mar.02.2017	File name Face Plate	Date Mar.02.2017	Scale FREE
ANGLE:		Single Gang Face Plate			
UNIT:MM		20-0000	Edition 1	Sheet 1/1	