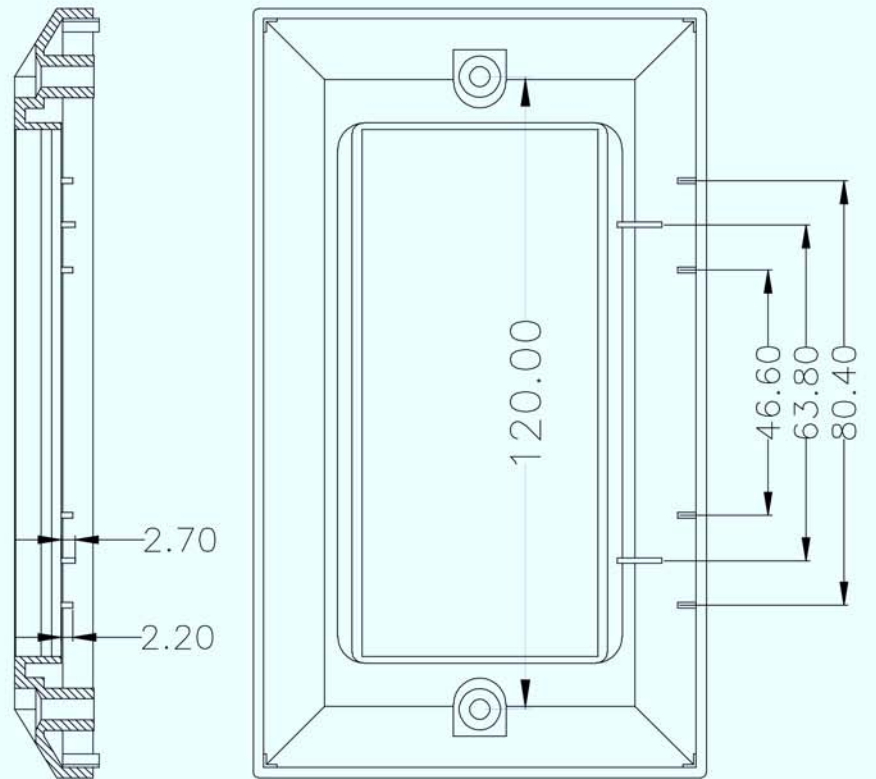
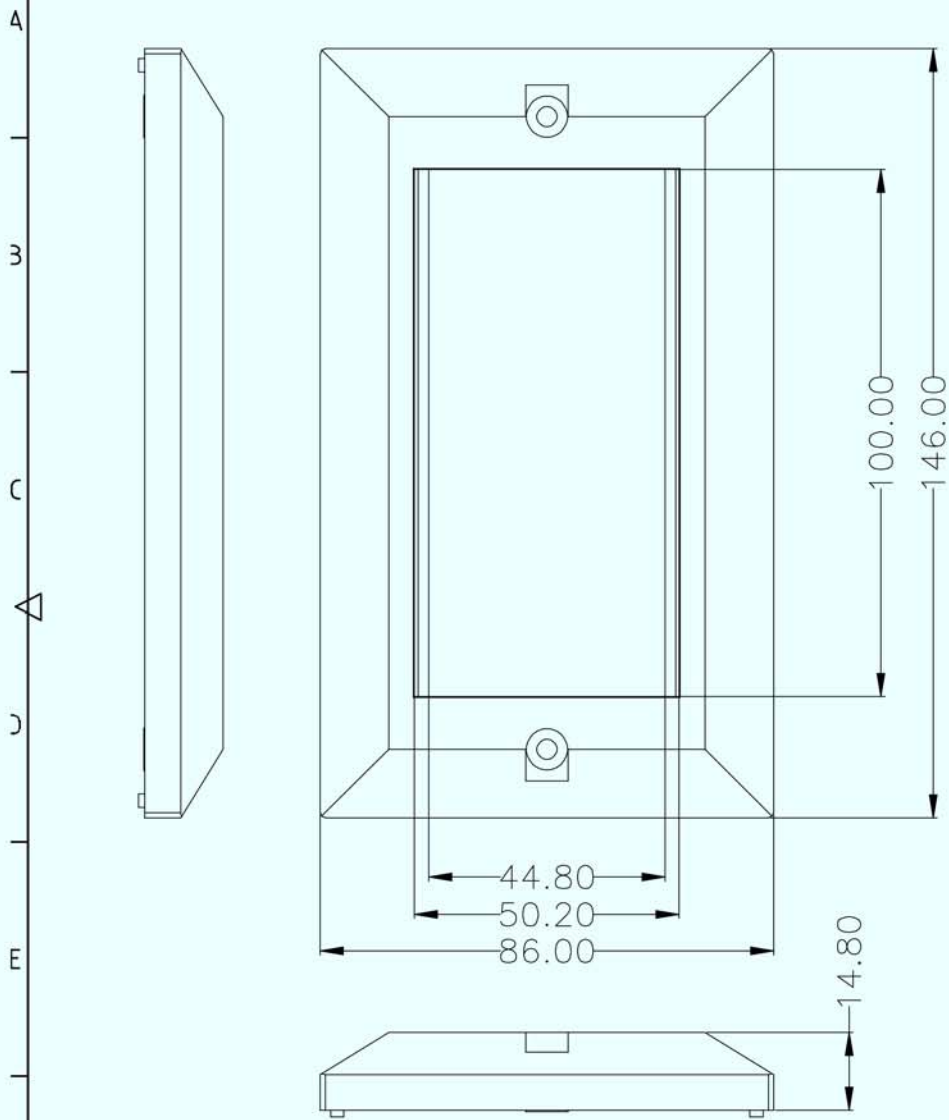


RevNo	Revision note	Date	Signature	Checked
-------	---------------	------	-----------	---------



SECTION A-A

- NOTE:
- 1.MATERIAL : ABS
  - 2.BURR : 0.05mm MAX
  - 3.RoHS & REACH Compliant
  - 4:Color:RAL9003

LItemref	Quantity	Title/Name,designation,material,dimension etc			Article No./Reference	
Designed by	Checked by	Approved by - date	File name	Date	Scale	
		Mar.02.2017	Face Plate	Mar.02.2017	FREE	
ANGLE: 				Beveled Double Gang Face Plate		
UNIT:MM			20-0003	Edition 1	Sheet 1/1	

A  
B  
C  
D  
E  
F

A  
B  
C  
D  
E  
F

1 2 3 4 5 6 7 8