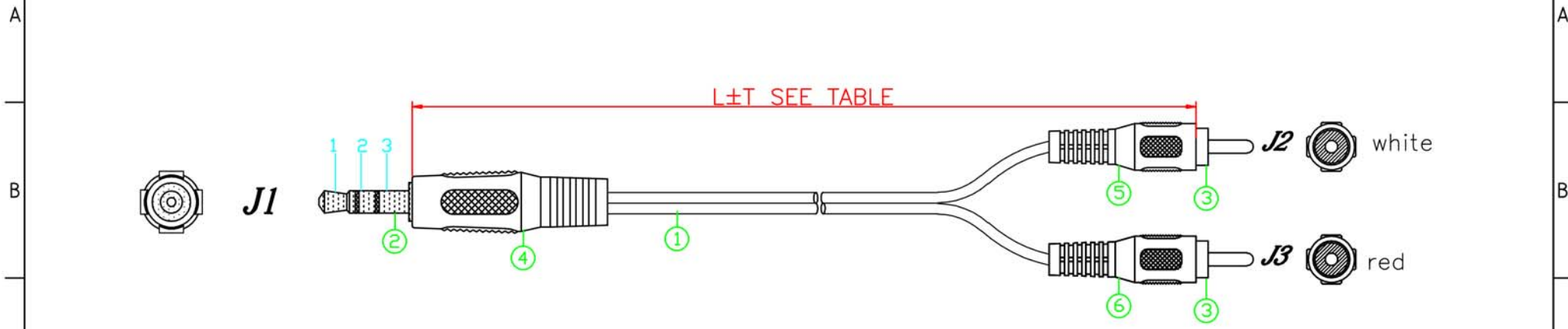


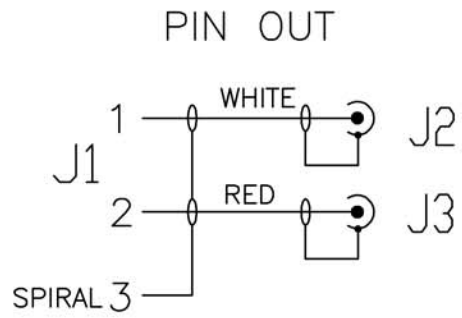
| | | | | |
|-------|---------------|------|-----------|---------|
| RevNo | Revision note | Date | Signature | Checked |
|-------|---------------|------|-----------|---------|



| P/N | L/(M) | T/(MM) |
|---------|-------|--------|
| 23-1020 | 2 | 30 |
| 23-1030 | 3 | 45 |
| 23-1050 | 5 | 75 |
| 23-1100 | 10 | 150 |
| 23-1150 | 15 | 200 |
| 23-1200 | 20 | 250 |

NOTES:

- 1:100% short,open and miss wire test.
- 2:ROHS & REACH Compliant



| NO. | MATERIAL | DESCRIPTION | QTY. | UNIT |
|-----|---------------|---|-------|------|
| ⑥ | OUTER MOULDED | RED 45P PVC | 0.010 | KG |
| ⑤ | OUTER MOULDED | WHITE 45P PVC | 0.010 | KG |
| ④ | OUTER MOULDED | BLACK 45P PVC | 0.010 | KG |
| ③ | CONNECTOR | RCA TUBULAR MALE:SOLDER TYPE,WHITE INSULATOR,GOLD PLATED. | 2 | PCS |
| ② | CONNECTOR | 3.5/M STEREO PLUG SOLDER TYPE,BLACK INSULATOR,GOLD PLATED. | 1 | PCS |
| ① | CABLE | (10/0.1CCS*2C+S/28*0.1CCS)*2,JACKET:BLACK PVC,OD:2.8*5.6±0.15MM | L | M |

| Ltemref | Quantity | Title/Name,designation,material,dimension etc | | | Article No./Reference | |
|-------------|------------|---|-------------|--|-----------------------|-----------|
| Designed by | Checked by | Approved by - date | File name | Date | Scale | |
| | | JUL 27,2015 | ST3.5M-2RCA | JUL 27,2015 | FREE | |
| ANGLE: | | | | ST3.5M-2RCA CABLE,BLACK | | |
| UNIT:MM | | | | 23-1020,23-1030,23-1050 23-1100,23-1150,23-1200 | Edition 1 | Sheet 1/1 |