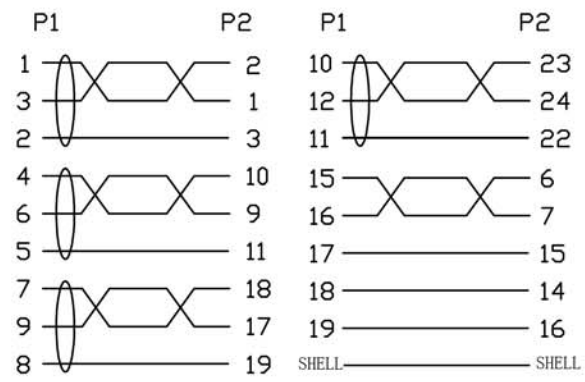


P/N	L/(M)	T/(MM)
26-1684	2	30
26-1685	3	45

NOTES:

- 1:100% short,open and miss wire test.
- 2:Cable marking:AWM STYLE 20276 VW-1 80°C 30V
DVI Cable RoHS & REACH Compliant

PIN OUT



NO.	MATERIAL	DESCRIPTION	QTY.	UNIT
⑥	OUTER MOULDED	BLACK 45P PVC	0.048	KG
⑤	INNER MOULDED	LDPE	0.021	KG
④	SCREW	#4-40UNC 2.3*45.5MM,BLACK PVC	2	PCS
③	CONNECTOR	DVI 18+1/M BLACK INSULATOR,GOLD PLATED SHELL,GOLD PLATED PIN	1	PCS
②	CONNECTOR	HDMI A TYPE/M BLACK INSULATOR,GOLD PLATED SHELL,GOLD PLATED PIN	1	PCS
①	CABLE	(1P*30AWG 1/0.254BC+D+FAM)*4C+1P*30AWG 1/0.254 BC+3C* 30AWG 1/0.254 BC+AL+D 30AWG 1/0.254BC+B(16/5/0.12ALM).JACKET:BLACK PVC.OD:6.0±0.15MM	L	M

Ltemref	Quantity	Title/Name,designation,material,dimension etc	Article No./Reference
Designed by	Checked by	Approved by - date JUL 27.2015	File name DVI 18-1 TO HDMI Date JUL 27.2015 Scale FREE
ANGLE:		HDMI MALE TO DVI-D MALE CABLE,BLACK	
UNIT:MM		26-1684,26-1685	Edition 1 Sheet 1/1