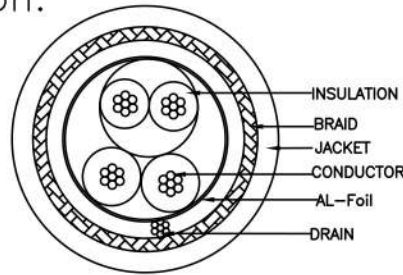
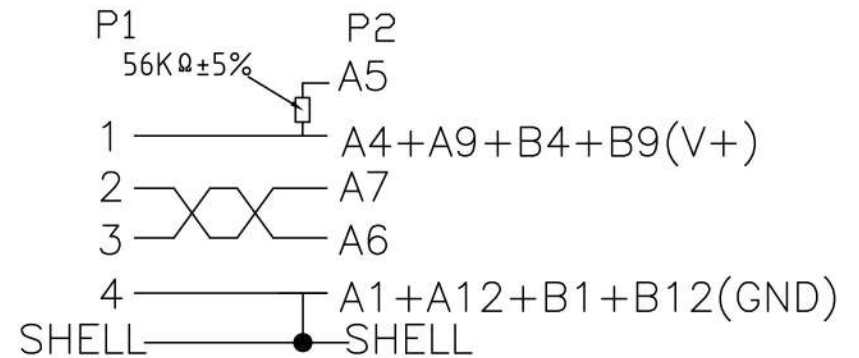


Cross Section:



PIN OUT



ELECTRONIC TEST:

- 1.OPEN/SHORT/INTERMITTENCE: 100%.
- 2.LR:56KΩ±5%
- 3.RoHS & REACH COMPLIANT

⑤	MOLDED	45P BLACK PVC		G
④	MOLDED	LD-PE		G
③	CONNECTOR	USB3.1 C Male, Pin Gold Flsh, Shell Nickel Plated	1	PCS
②	CONNECTOR	USB2.0 A Male, Pin Gold Flsh, Shell Nickel Plated	1	PCS
①	CABLE	7/0.10TC*1P+7/0.20TC*2C+A+D(7/0.12BC)+B(64/0.12AL-MG),BLACK PVC, OD:3.8±0.2mm PRINTING:CONNEKT GEAR AWM STYLE 2725 80℃ 30V VW-1 USB2.0 HIGH SPEED CABLE ROHS & REACH COMPLIANT	2000	MM
NO.	MATERIAL	DESCRIPTION	QTY.	UNIT

Ltemref	Quantity	Title/Name,designation,material,dimension etc	Article No./Reference		
Designed by	Checked by	Approved by - date 16-10-2019	File name	Date 16-10-2019	Scale FREE
ANGLE:			USB2.0 AM-CM		
UNIT:MM			26-2950	Edition 1	Sheet 1/2