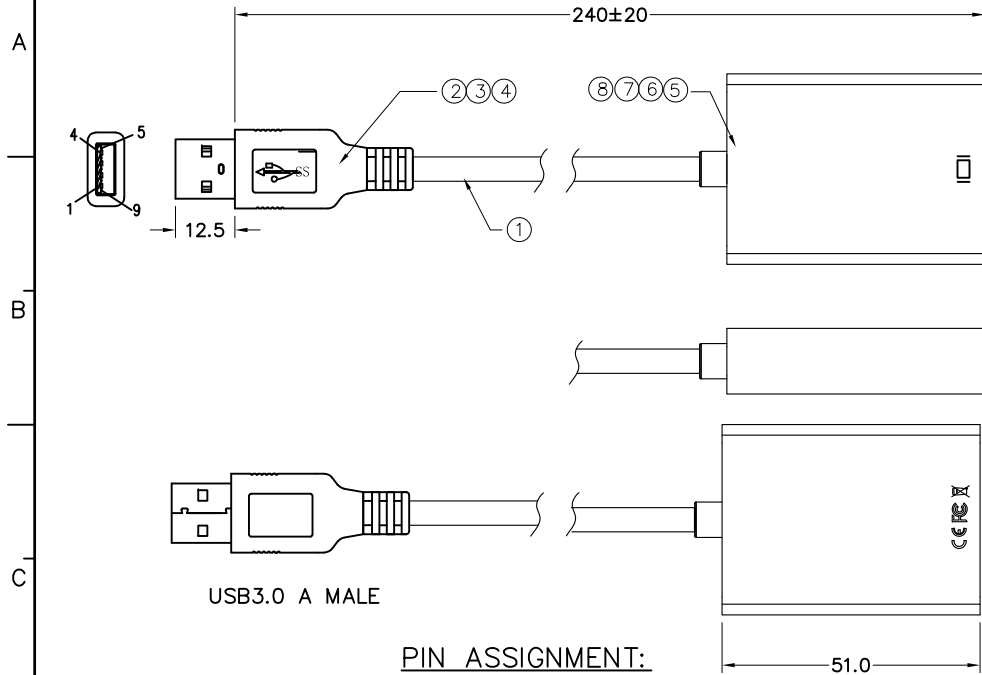


RoHS compliant

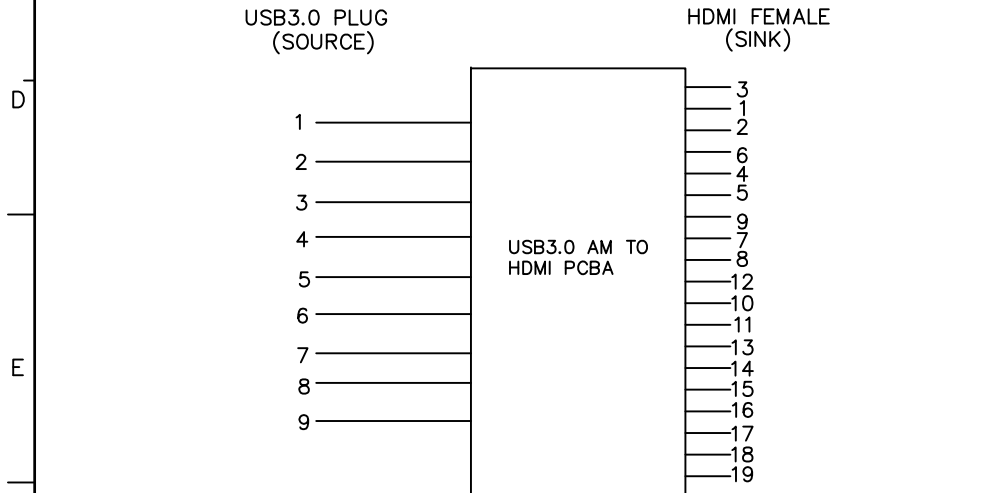
Customer P/N: 26-29XX

REV.	ZONE	LTR	DESCRIPTION	DATE	REVISER	APPD.



HDMI FEMALE

- Technical Specification:
- 1、Connector 1: USB3.0 A Male
 - 2、Connector 2: HDMI Female
 - 3、Housing: AL Shell
 - 4、Colour: Black
 - 5、100% by PC and monitor test
 - 6、RoHS Compliant



8	Shell	Aluminium, Black	
7	SR	PVC, Black	
6	PCBA	USB3.0 AM TO HDMI PCBA	
5	CONNECTOR 2	HDMI FEMALE Conn. Nickel Plated Shell Black Insulator	
4	OVER MOLD	PVC, Black	
3	INNER MOLD	PVC, Black	
2	CONNECTOR 1	USB3.0 A MALE CONNECTOR, Nickel Pated Shell	
1	CABLE	CABLE,OD: 5.0mm,BLACK	
NO.	PART NAME	SPEC DESCRIPTION	REMAKE

NAME: CUSTOMER DRAWING		UNIT: MM	SCALE: 1:1	YOKER Electronic Technology Co.,LTD TITLE: USB3.0 A Male to HDMI Female short cable PART NO.: US-022-004 SHEET: 1/1
GENERAL TOLERANCE (UNLESS SPECIFIED)		DESIGNER: AARON	2020.9.6	
.0 0 0 ± 0.15		CHECKED: AARON	2020.9.6	
.0 0 ± 0.25		APPROVED: Roger	2020.9.8	
.0 ± 0.35				DRAWING NO.: R-US022004
.0 ± 0.5				REV.: 0.1
ANGLE ± 1°				
SIZE: A4	THIS DRAWING CO WRITTEN PERMISS			