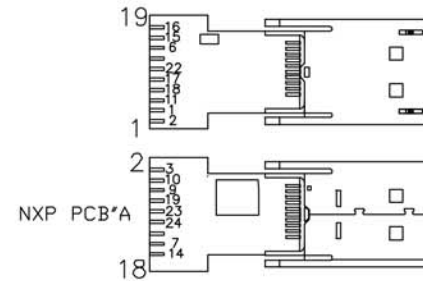
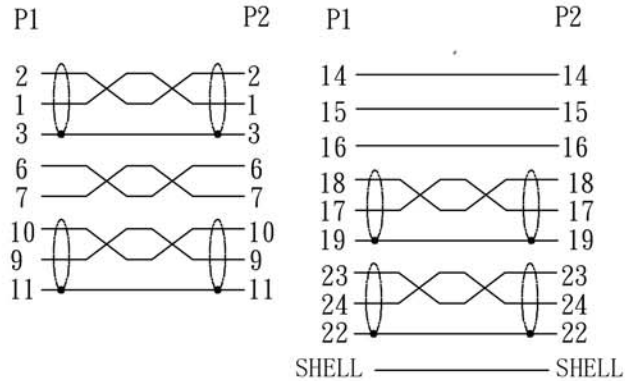


PIN OUT



NOTES:

1:100% short,open and miss wire test.
2:ROHS & REACH Compliant

⑦	OUTER MOULDED	BLACK 45P PVC	0.028	KG
⑥	INNER MOULDED	LDPE	0.021	KG
⑤	THUMB SCREW	B-L30.5 WITH BLACK PVC	2	PCS
④	SHELL	ABS OUTER COVER FOR DP MALE,HOOK TYPE,BLACK	1	PCS
③	CONNECTOR	DP MALE,HOOK TYPE,GOLD PLATED CONTACTS AND SHELL,BLACK INSULATION	1	PCS
②	CONNECTOR	DVI24+1 MALE,HOOK TYPE,GOLD PLATED CONTACTS AND SHELL,BLACK INSULATION	1	PCS
①	CABLE	(1P*7/0.1TC+D+FAM)*4C+1P*7/0.1TC+3C*7/0.1TC+AL+D+B, JACKET:BLACK PVC,OD:6.0±0.15MM	2000	MM
NO.	MATERIAL	DESCRIPTION	QTY.	UNIT

Ltemref	Quantity	Title/Name,designation,material,dimension etc			Article No./Reference	
Designed by	Checked by	Approved by - date	File name	Date	Scale	
		JUL 27.2015		JUL 27.2015	FREE	
ANGLE:				DISPLAYPORT MALE TO DVI CABLE,M-M,BLACK		
UNIT:MM				26-6120	Edition	Sheet
				1	1/1	