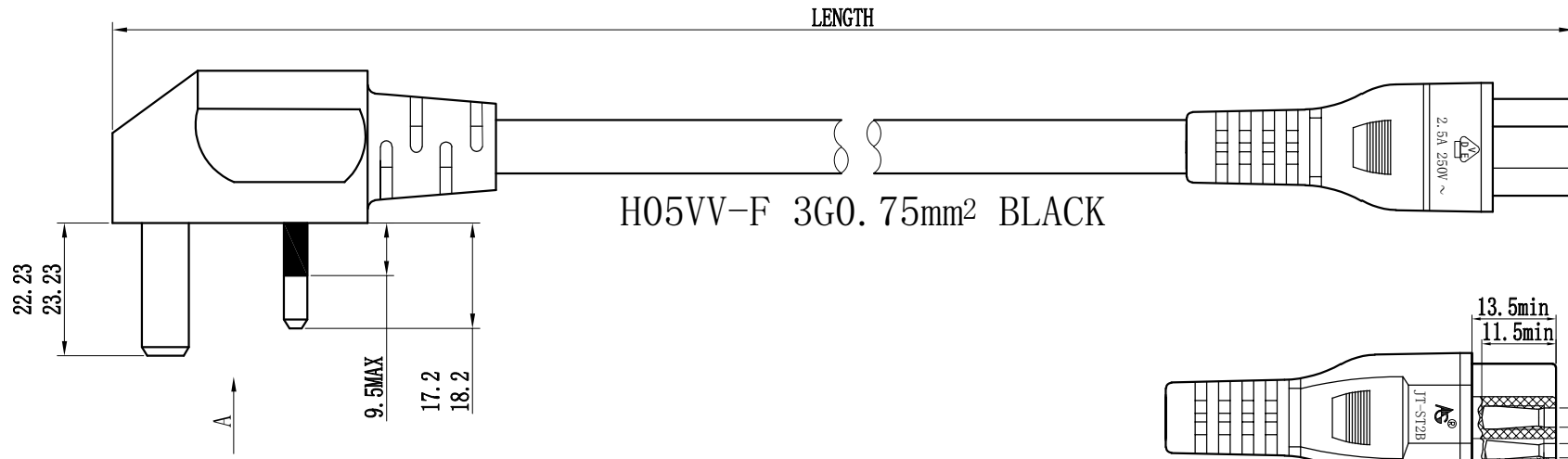


NO.

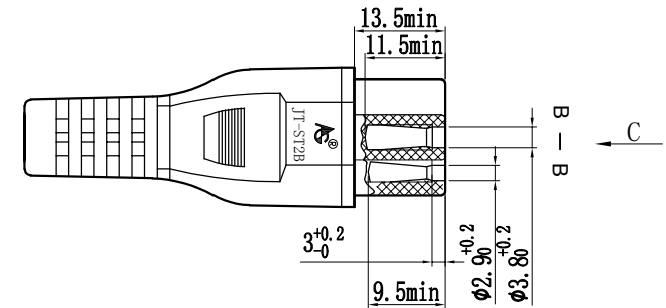
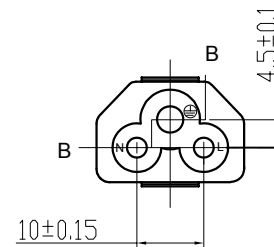
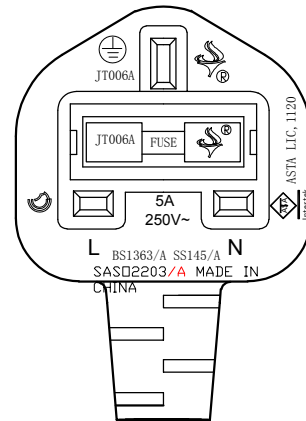
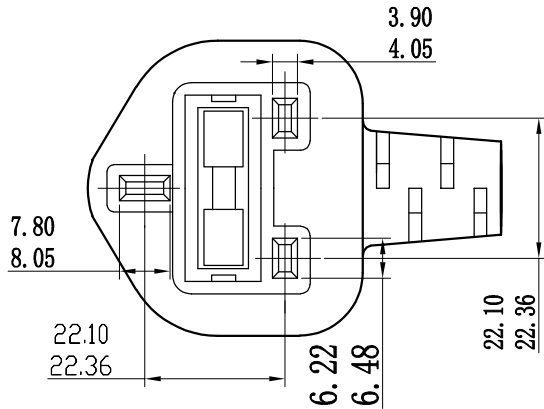
标记	处数	分区	更改	日期



LOGO

A Direction

C Direction



NO.	27-0305	27-0114B	27-0062	27-0346
LENGTH (mm)	1000	2000	3000	5000
COLOR	BLACK	BLACK	BLACK	BLACK

Notes:

1. Plug: JT006A/JT-ST2B Clear injection no scratch and dirt;
2. Cable: H05VV-F 3G0.75mm² Jacket $\phi 6.5 \pm 0.2$ Conductor $24 \times 0.198 \pm 0.004$ Core $\phi 2.4 \pm 0.1$
Cable Mark: <VDE> H05VV-F 3G0.75mm²
3. Test: Hi-pot: Inner Voltage AC2500V/1S External Voltage AC4000V/1S
current leakage 1mA, insulation resistance no less than 5M Ω , no strike out;

尺寸标注		公差		第三角投影		比例		第X张 共X张	
DIMENSION		TOLERANCE		THE THIRD ANGLE PROJECTION		RATIO		SHEET NO. OF TOTAL SHEETS	
LENGTH	ANGLE	VERSION	A	PROJECTION	1:1	UNIT	MM	HAPS	A4
<200	±0.1	±0.5°	FILE LOCATION						
200~500	±0.3		FIGURE NO						
500~800	±0.5		FIGURE NO						
<800	±1.0		FIGURE NO						
DESIGN	王结安		产品名称		JT006A/JT-ST2B				
AUPT			PRODUCTOR NAME						
APPROVAL									