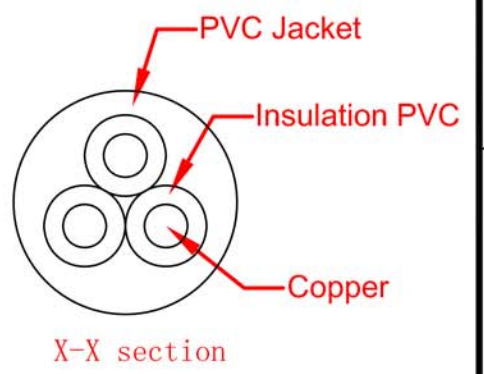
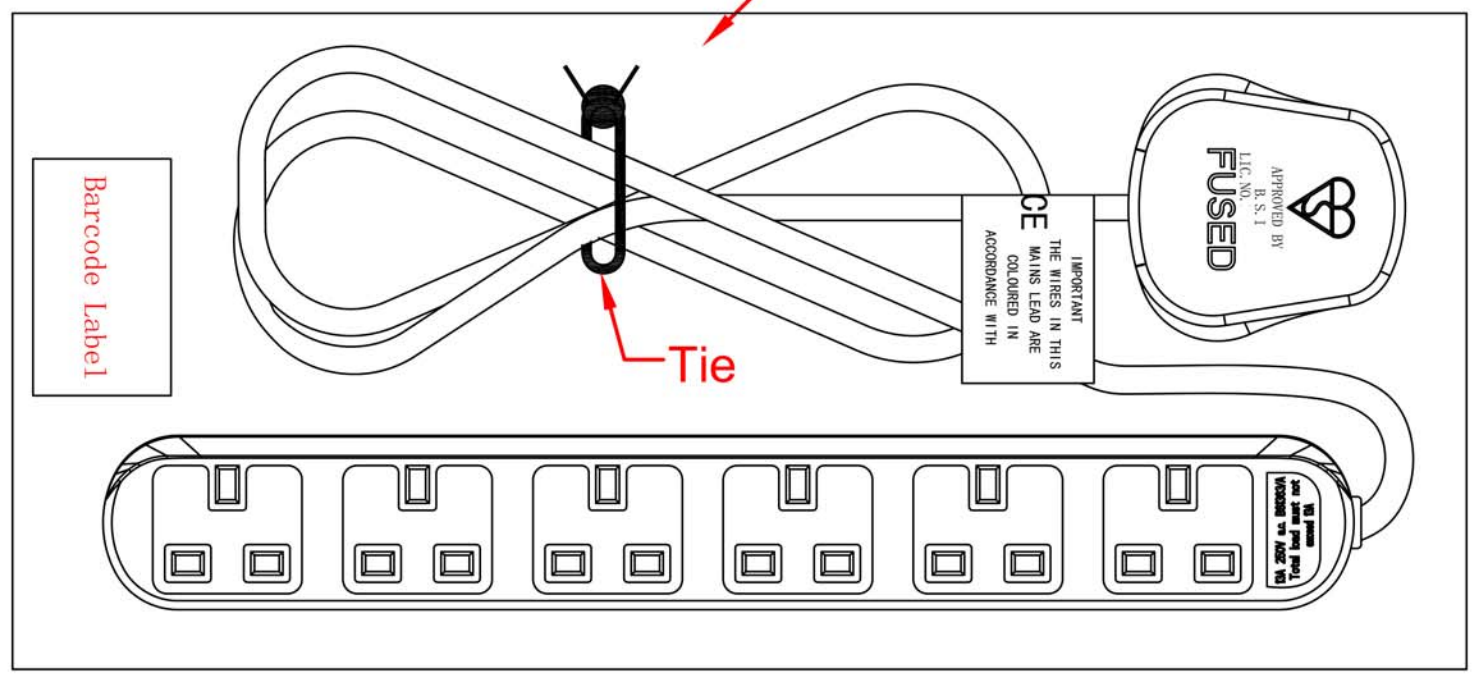
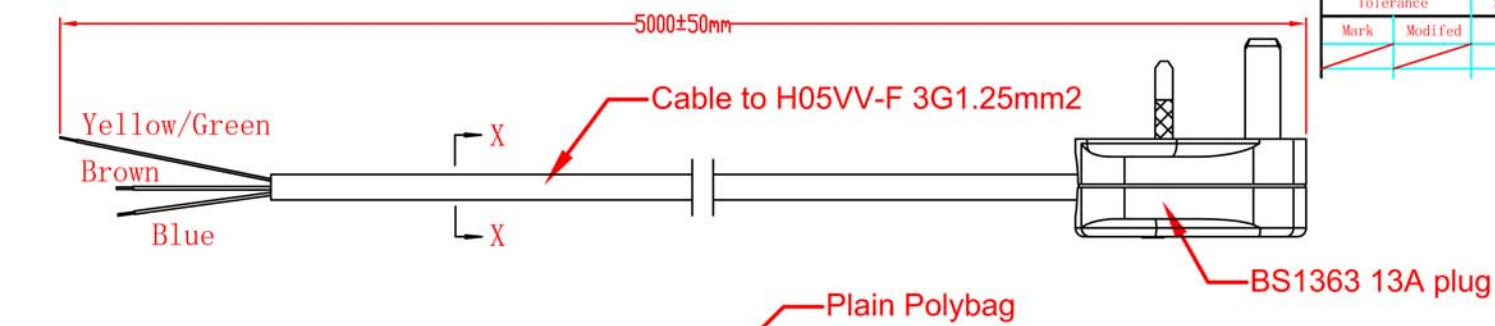


Dimension	0-8	8-25	25-50	50-100	100-200	200-300	∠ (度)
Tolerance	±0.08	±0.10	±0.12	±0.18	±0.20	±0.30	±0.20°
Mark	Modified	Modified Record		Edition	Publish	Approval	Date
				P1	HB	HJD	2014-05-08



### Technical requirements:

1. Plug should be Kitemark certified to BS1363-1, socket meet BS1363-2
2. Cable should be standard of EN50525 or meet equivalent standards
3. Products should meet relevant Rohs directive

DRAW:		DATE: 2014-05-08	PRODUCT NAME:		<input type="checkbox"/> FIRST PROJECT <input checked="" type="checkbox"/> THIRD PROJECT
DESIGN:		DATE: 2014-05-08	27-6050		
CHECK:		DATE: 2014-05-08	PART NAME:		PAGE:
APPROVAL:		DATE: 2014-05-08			1 OF 1
MATERIAL: xxxx		UNIT: mm	WEIGHT:	PART NUMBER: XXXXXXXX	EDITION:
MATT: xxxx		SCALE: xxxx	xxxg/m		A3 P1