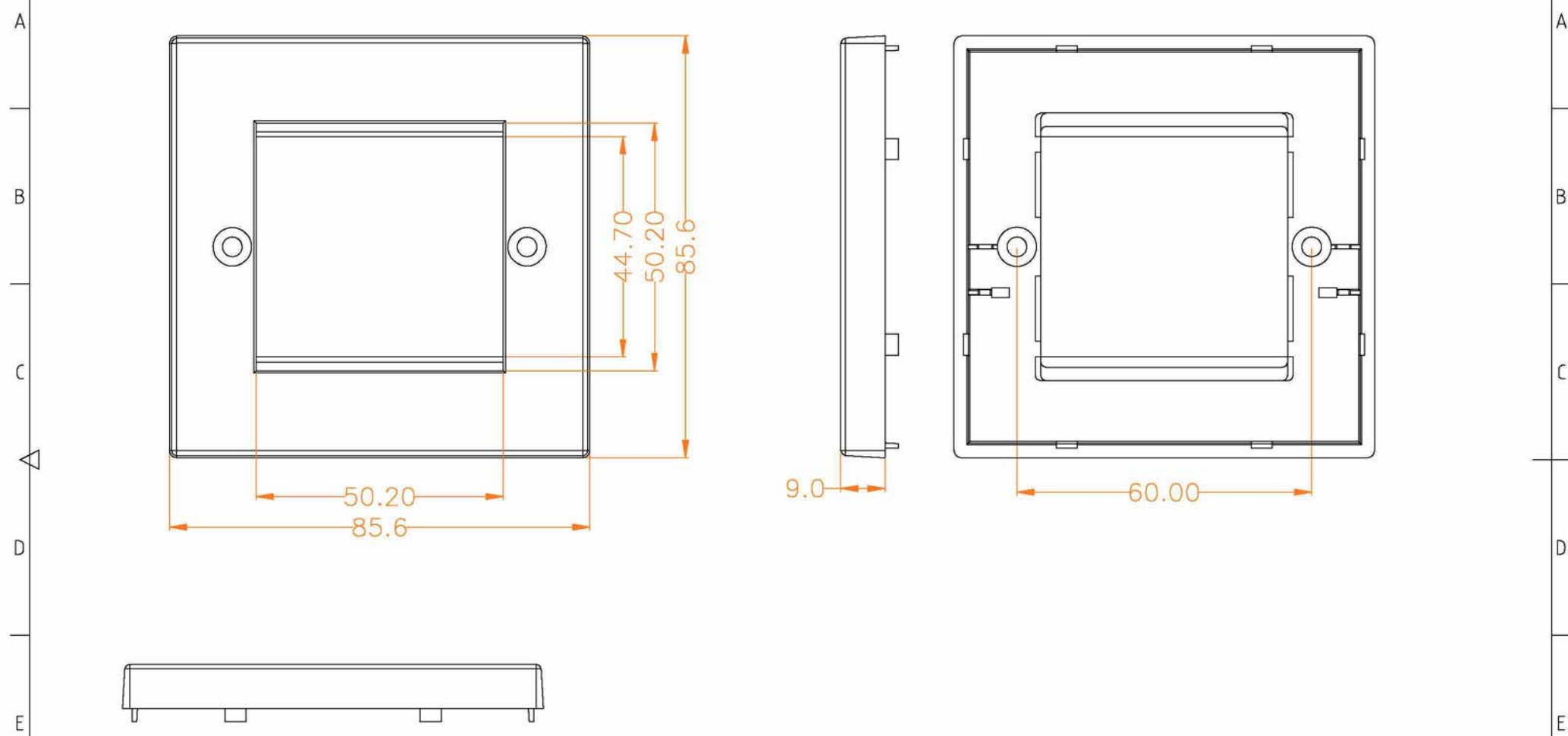


RevNo	Revision note	Date	Signature	Checked



NOTE:  
 1.MATERIAL : ABS  
 2.BURR : 0.05mm MAX  
 3.RoHS & REACH Compliant

LItemref	Quantity	Title/Name,designation,material,dimension etc	Article No./Reference		
Designed by	Checked by	Approved by - date Aug.17.2015	File name Face Plate	Date Aug.17.2015	Scale FREE
ANGLE:			Single Gang Face Plate		
UNIT:MM			90-0100	Edition 1	Sheet 1/1