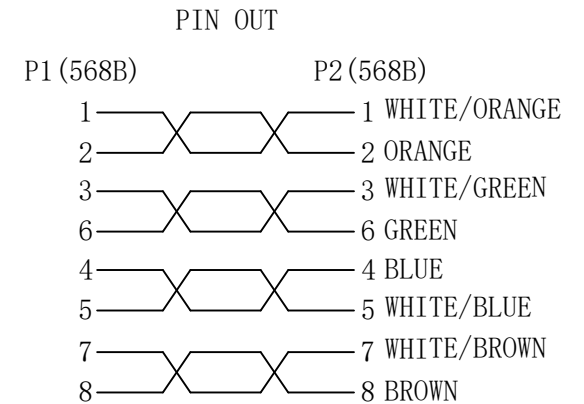


P/N	L/mm	T/mm
28-0003X	300	10
28-0005X	500	10
28-0010X	1000	20
28-0015X	1500	20
28-0020X	2000	30
28-0030X	3000	50
28-0040X	4000	60
28-0050X	5000	80
28-0070X	7000	100
28-0080X	8000	100
28-0100X	10000	100
28-0150X	15000	150
28-0200X	20000	150
28-0250X	25000	200
28-0300X	30000	200
28-0350X	35000	250
28-0500X	50000	300

X	Color
BK	BLACK
R	RED
PN	PINK
O	ORANGE
Y	YELLOW
GN	GREEN
B	BLUE
P	PURPLE
G	GREY
W	WHITE
BR	BROWN



NOTES:
 1. 100% Open, Short And Misalignment Test
 2. RoHS & REACH Compliant
 3. Printing: connektgear 4 Pairs 24AWG CAT5e Verified For Gigabit Ethernet RoHS & REACH Compliant 7822851

Ltemref	Quantity	Title/Name, designation, material, dimension etc			Article NO./Reference	
Designed by FLY	Checkde by HELEN	Approved by - date 2025. 10. 14	File name	Date 2025. 10. 14	Scale FREE	
ANGLE:					UTP CAT5E 24AWG CCA PVC JACKET	
UNIT:MM					Edition 1	

NO.	MATERIAL	DESCRIPTION	QTY.	UNIT
③	MOLDED	PVC		G
②	CONNECTOR	RJ45 8P8C, Gold Plated PIN	2	PCS
①	CABLE	UTP CAT5E 24# (7/0.19CCA)*4P, PVC JACKET, OD:5.4±0.2MM	L	MM